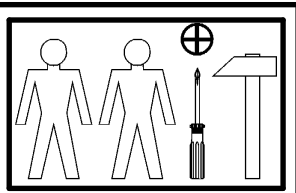
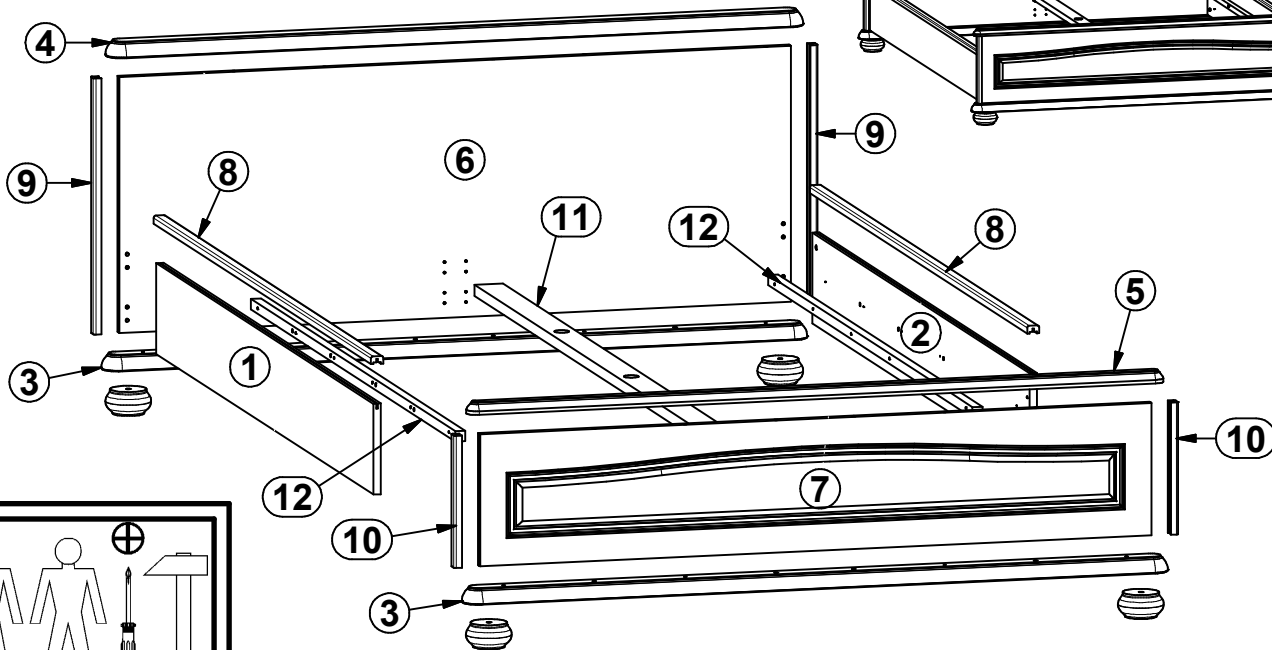
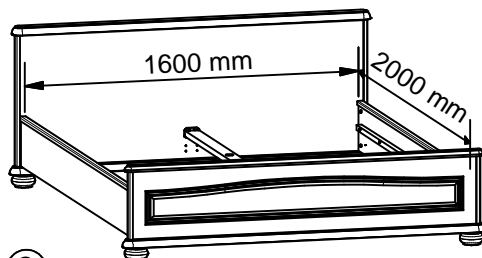
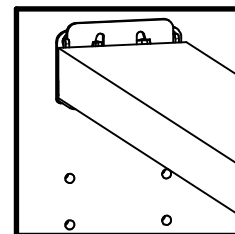
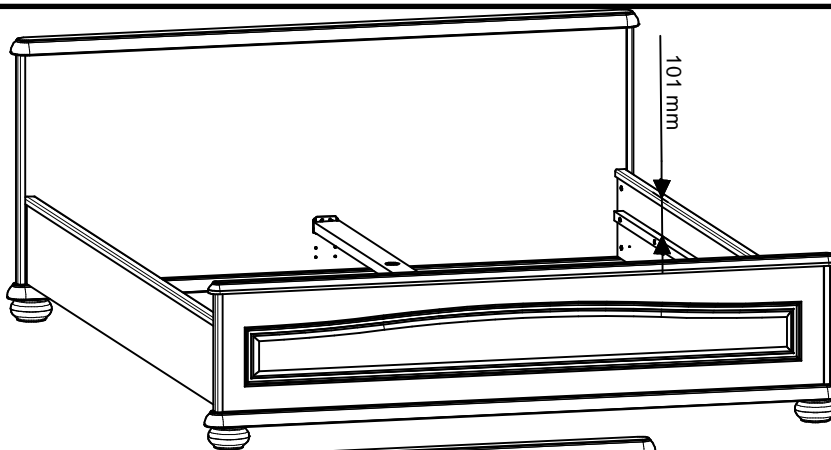


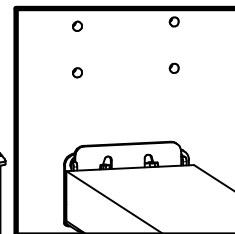
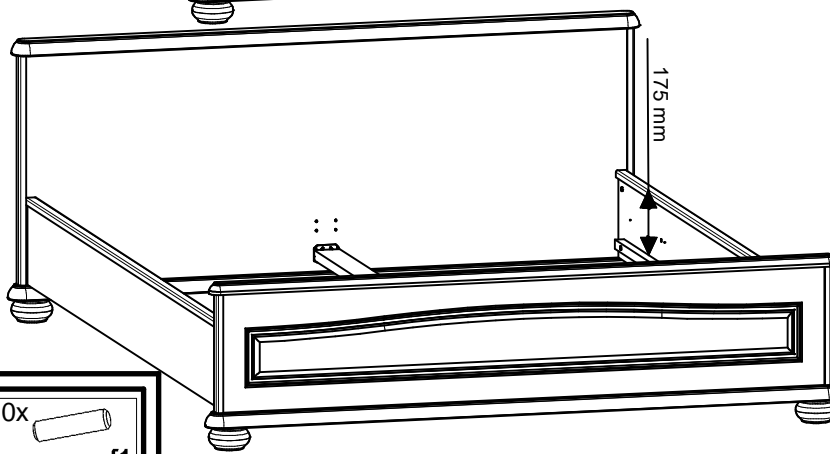
A	B	C	D	A	B	C	D		
1	S41-161	2000	220	2/6	7	S41-418 A	1656	320	4/6
2	S41-162	2000	220	2/6	8	S41-580	2000	30	5/6
3	S41-236	1738	80	1/6	9	S41-581	620	30	5/6
4	S41-237	1718	80	1/6	10	S41-582	320	30	5/6
5	S41-238	1718	50	1/6	11	ZZ1-745	1983	70	2/6
6	S41-417 A	1656	620	3/6	12	ZZ1-754	1880	25	2/6



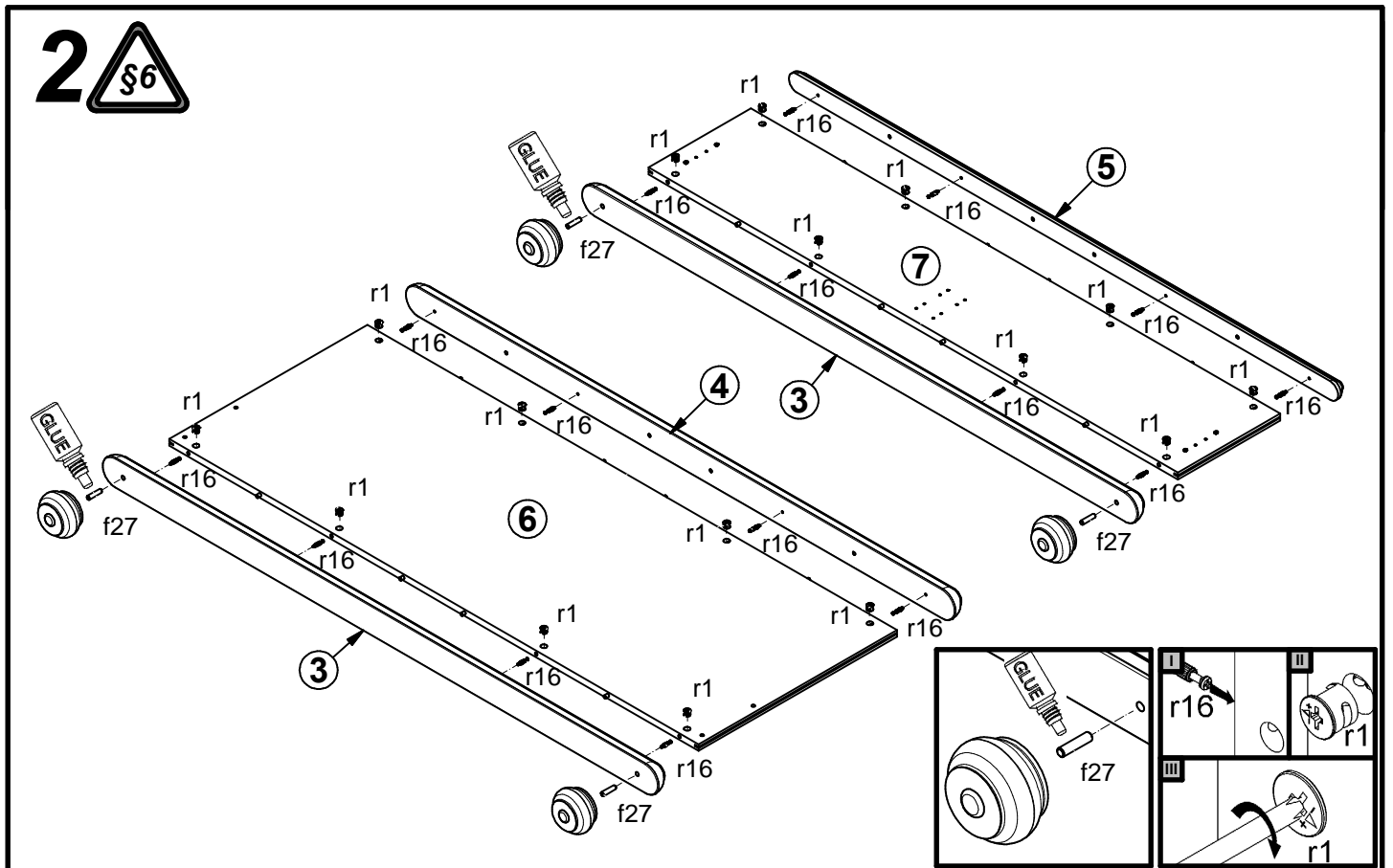
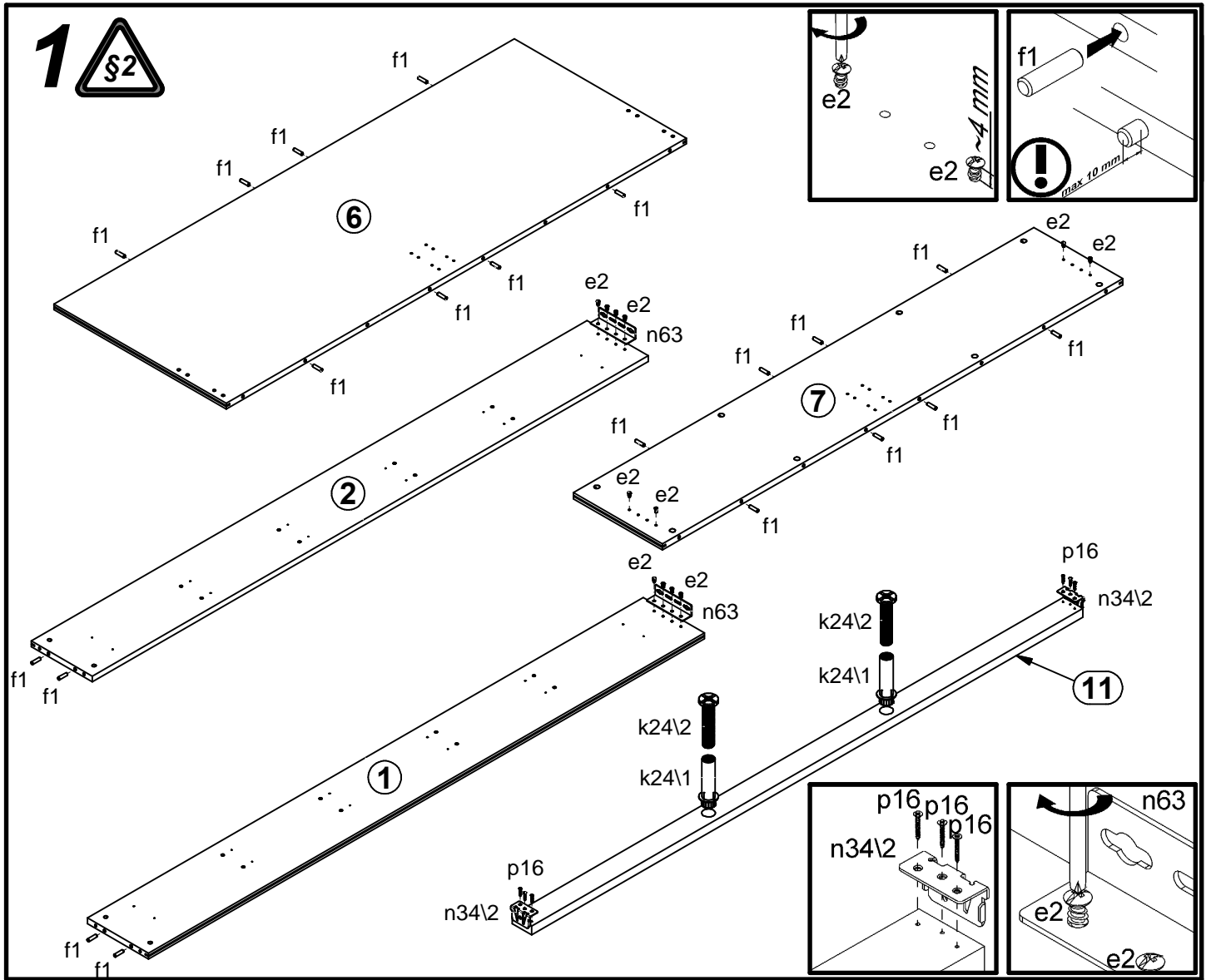
**A**

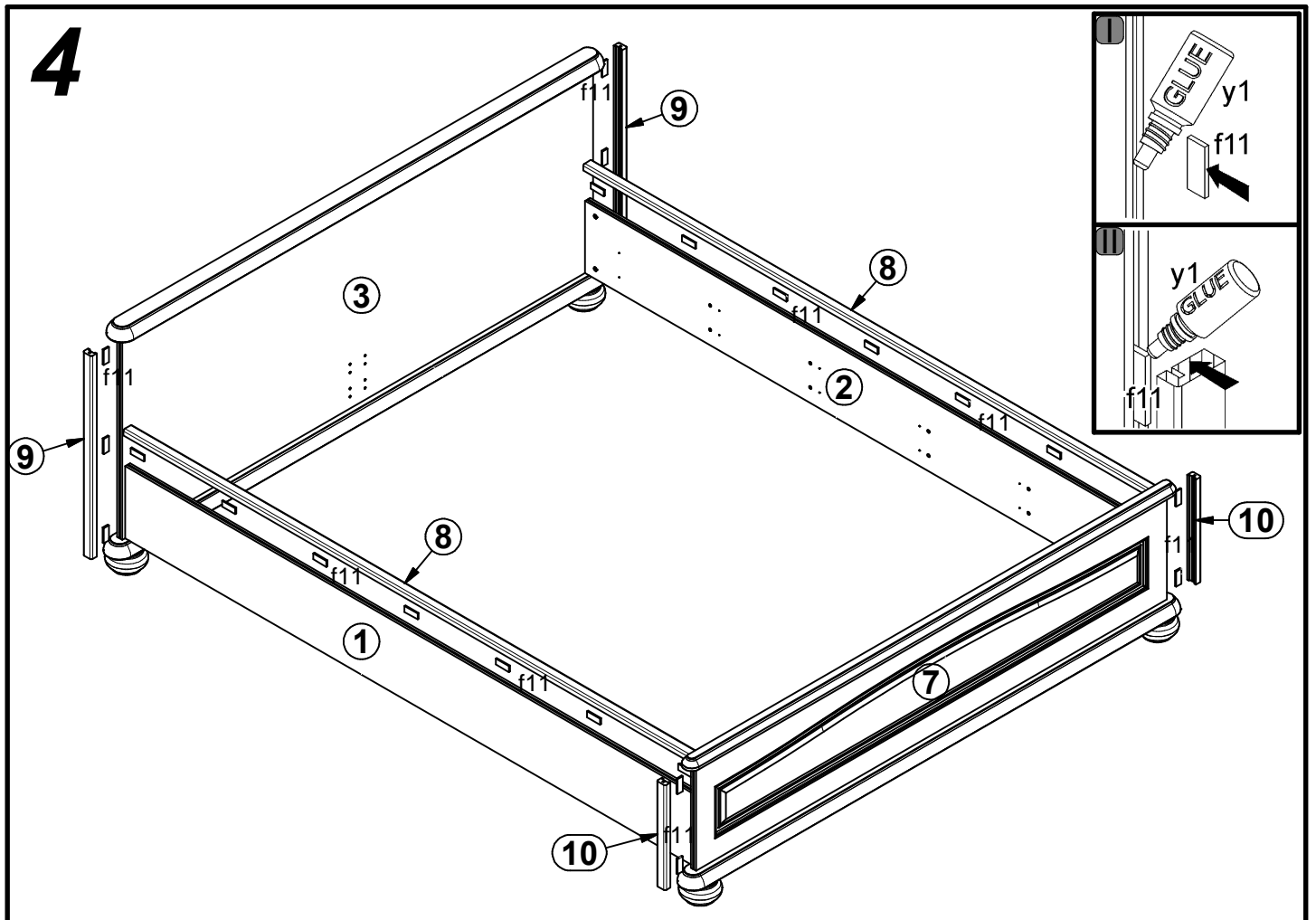
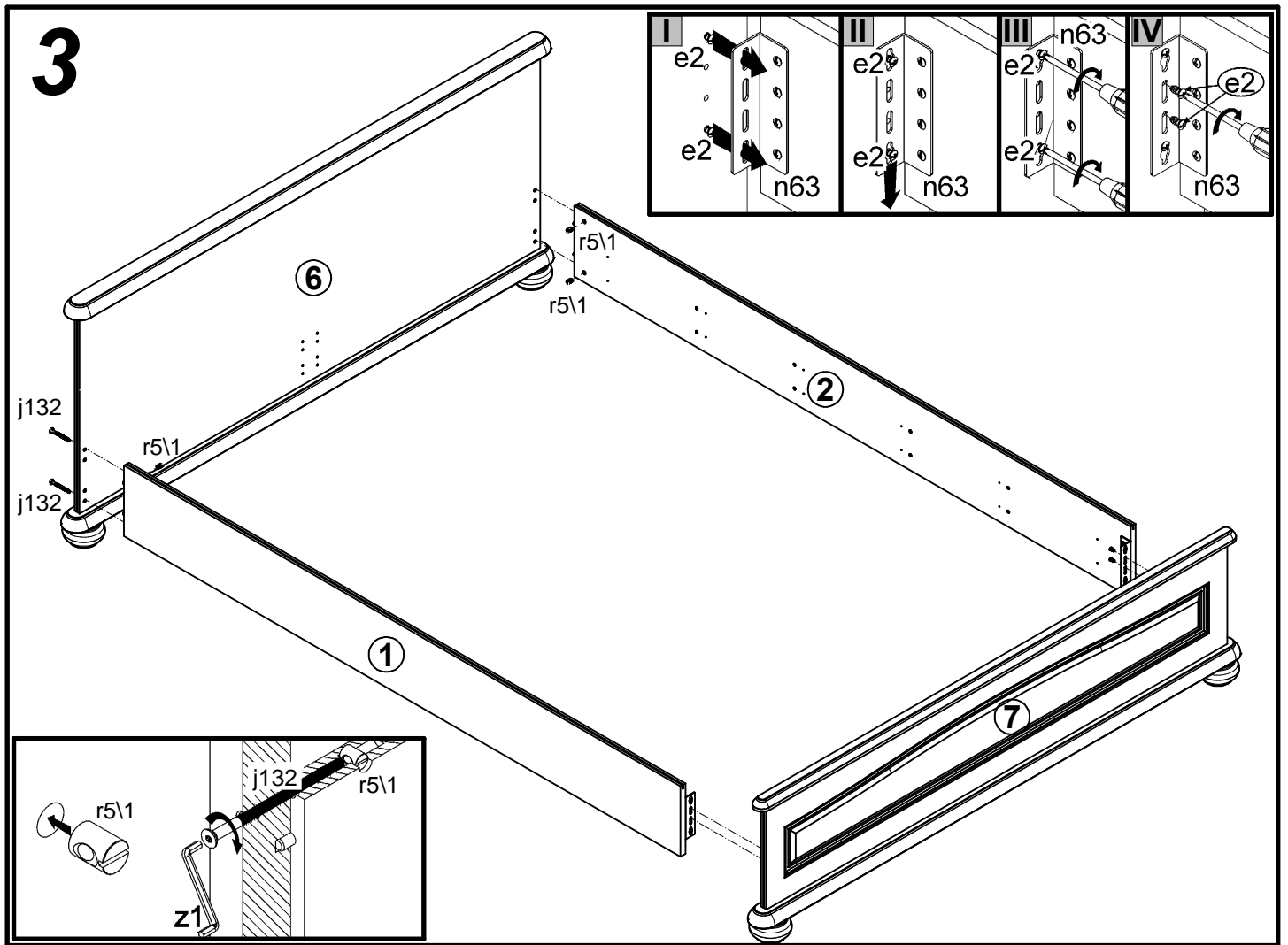


**B**

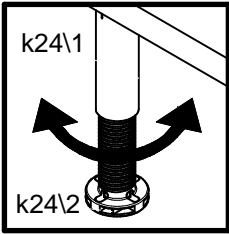
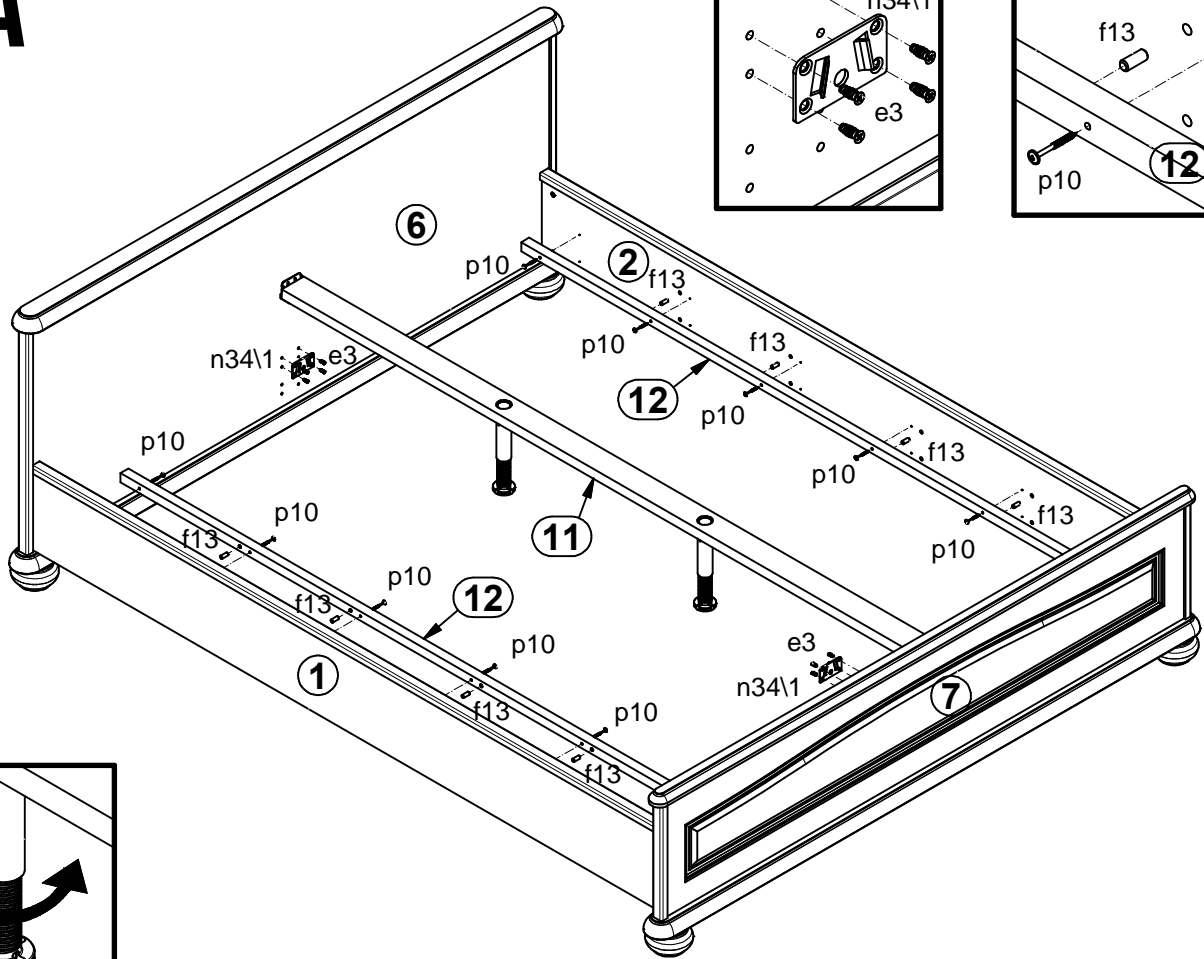
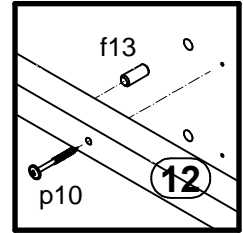
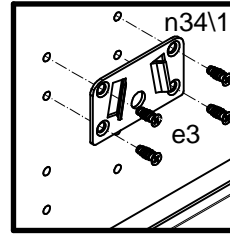


16x Ø6.3x13 mm e2	8x Ø6x13 mm e3	20x Ø8x30 mm f1	8x Ø8x20 mm f13	4x Ø10x40 mm f27	4x M6x65 mm j132	2x k2411	2x k2412	4x Ø110x58/62 mm k47	2x n3411	2x n3412	24x 46x184 mm f11	2x 130x34x34/2 mm n63
6x Ø4x35 mm p6	12x Ø4x40 mm p10	6x Ø3.5x25 mm p16	16x Ø15x12 mm #16 r1	4x Ø10x13 mm r51	16x 2019 r16	12x Ø16 s2	1x GLUE y1	1x z1				

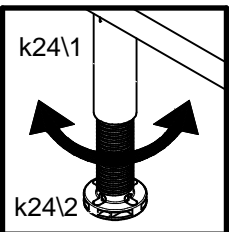
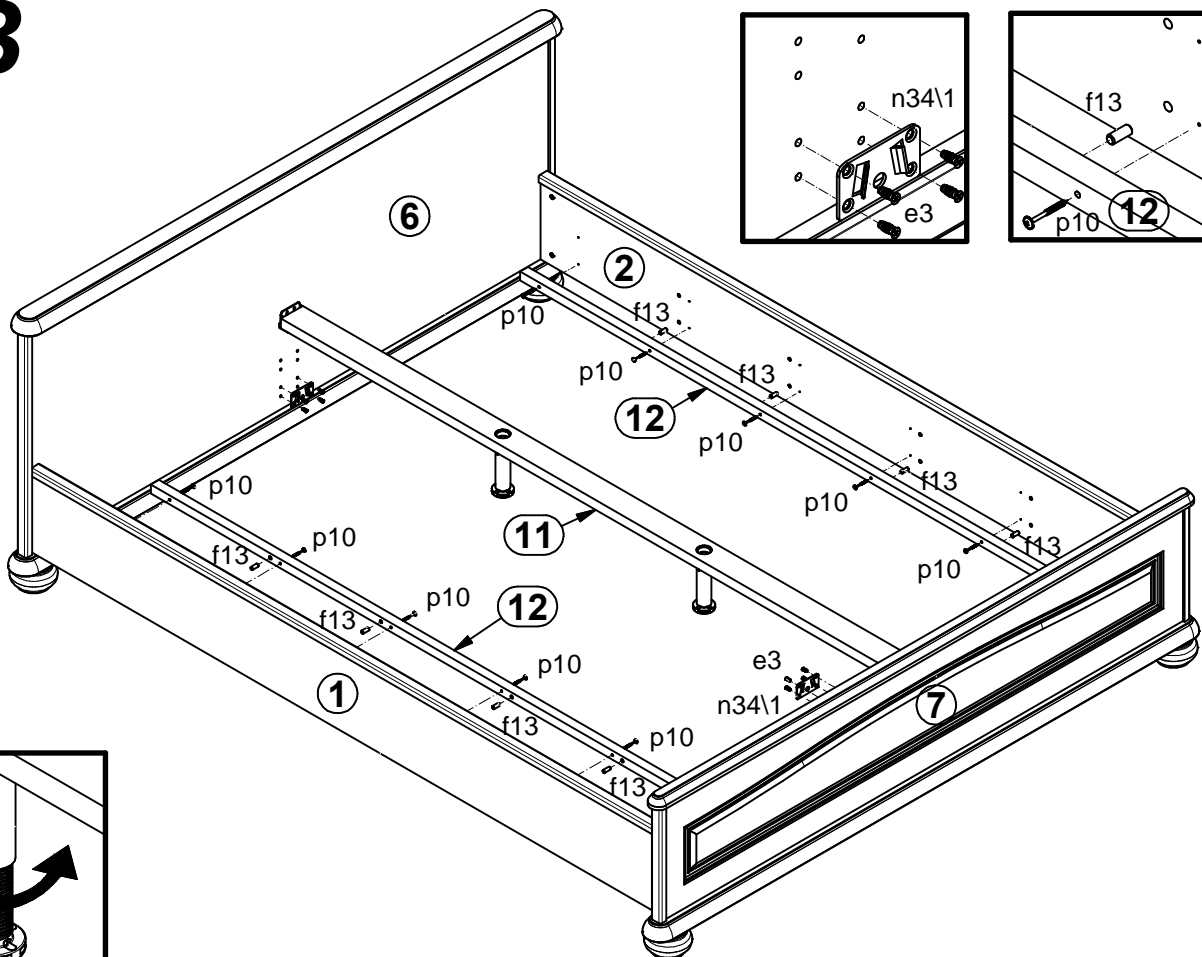
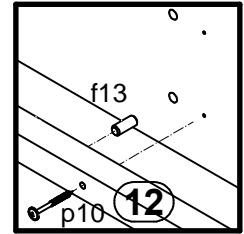
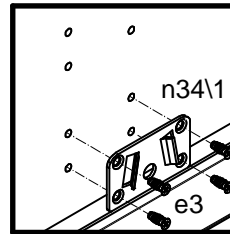




# 5A



# 5B



# 6

