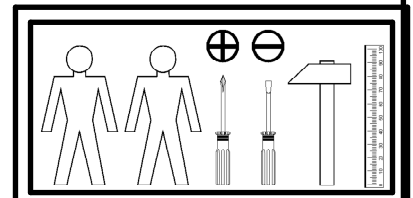
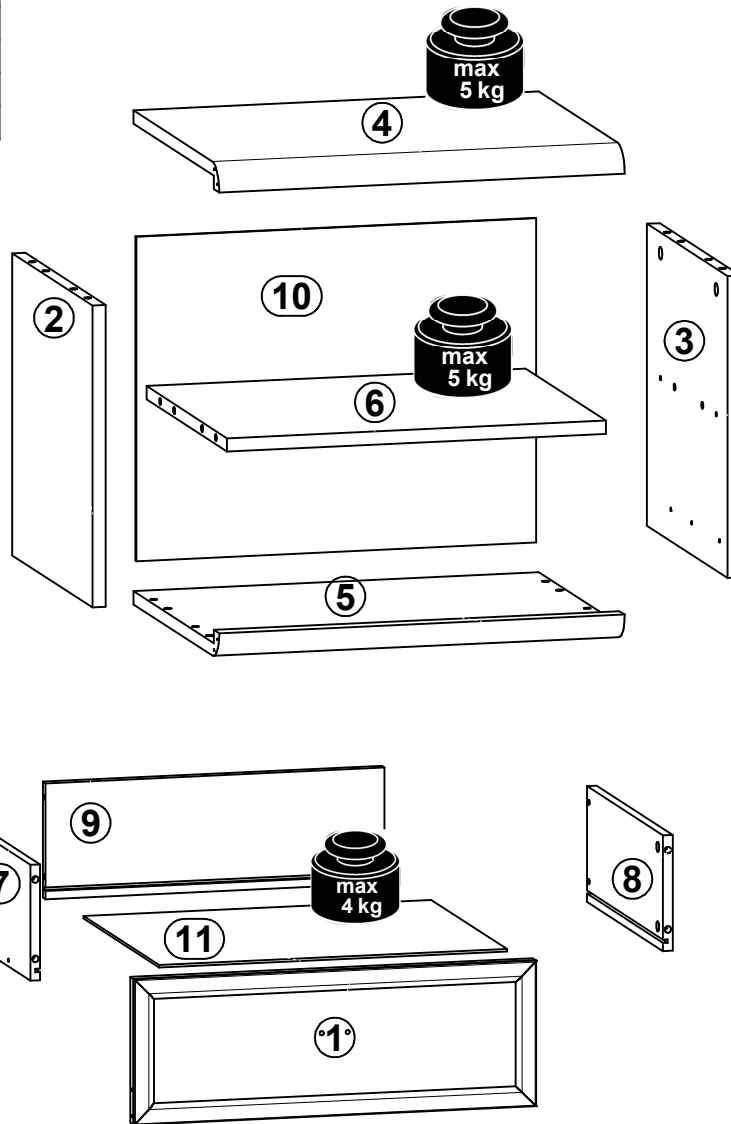
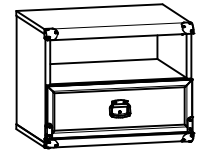
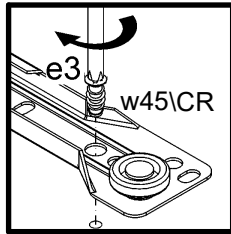
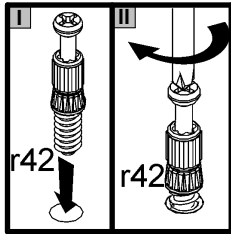
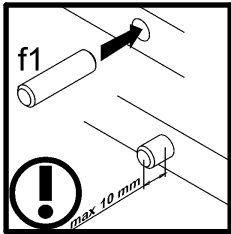
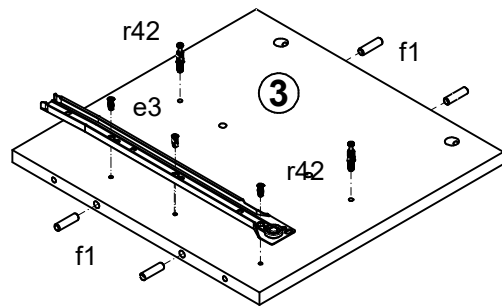
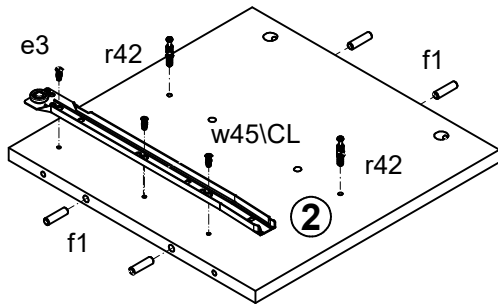


A	B	C	D	
1	S31-001	496	176	3/3
2	S31-103	365	370	1/3
3	S31-104	365	370	1/3
4	S31-203	500	395	2/3
5	S31-204	500	395	2/3
6	S31-303	467	370	1/3
7	S31-504	350	140	1/3
8	S31-505	350	140	1/3
9	S31-506	418	140	1/3
10	S31-902	392	493	1/3
11	S31-903	429	348	1/3

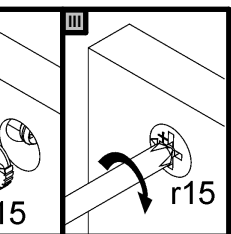
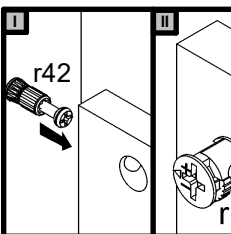
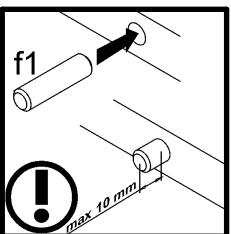
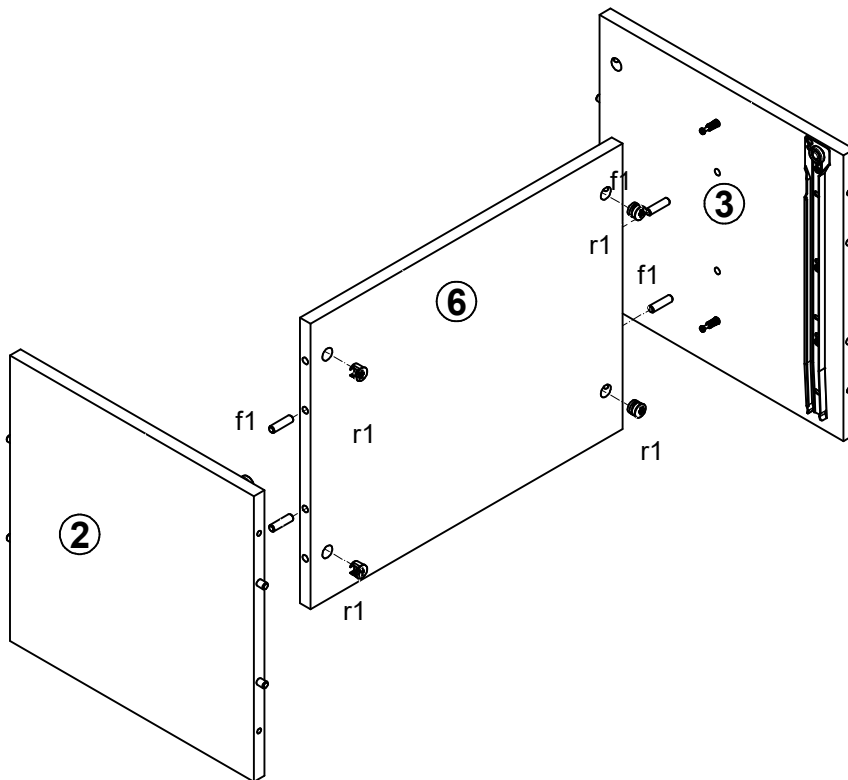


1x  c158	4x  Ø7x50 mm e1	4x  Ø5x9 mm e19	6x  Ø6x13 mm e3	12x  Ø8x30 mm f1	4x  Ø6.5x40 mm f25	2x  M4x22 mm j30	4x  Ø15 k22	25x  l1
4x  i27	1x  i28/L	1x  i28/P	12x  Ø3x12 mm p83	8x  Ø15x12 mm #16 r1	4x  Ø12x10.5 mm #12 r15	12x  20x11 r42	1x  350 mm w45/CL	1x  350 mm w45/CR
1x  350 mm w45/DL	1x  350 mm w45/DR	1x  4 mm z1	1x  n26/l	1x  Ø3.5x16 mm p38				

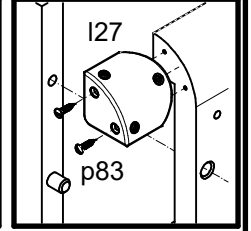
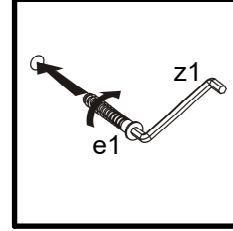
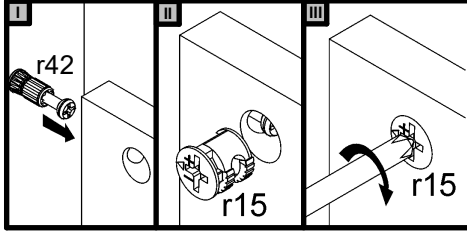
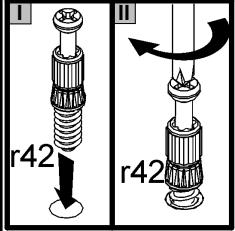
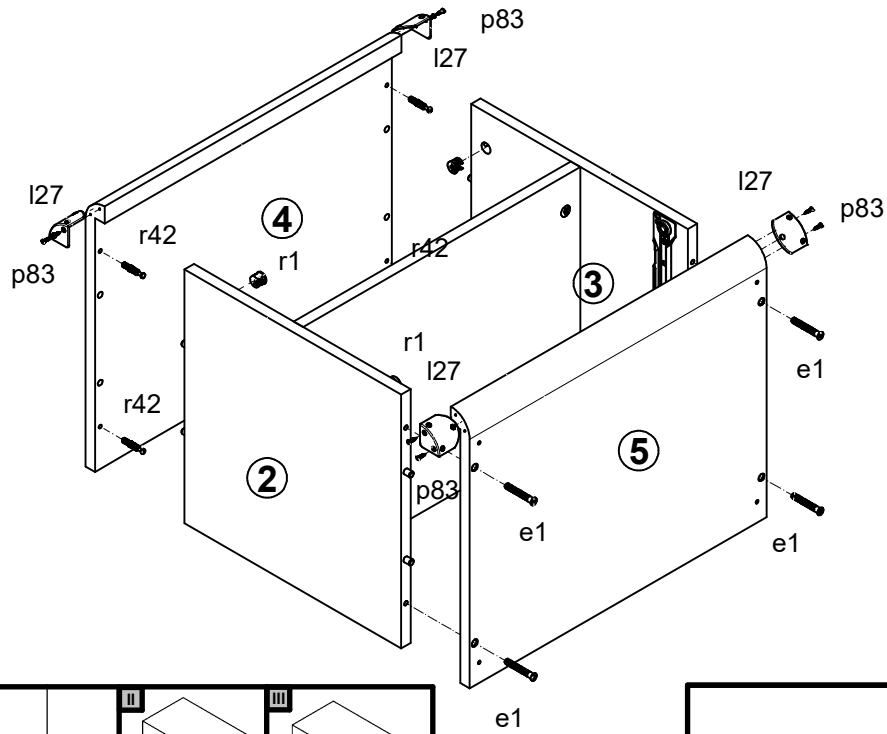
# 1



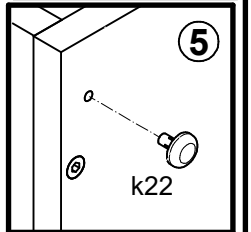
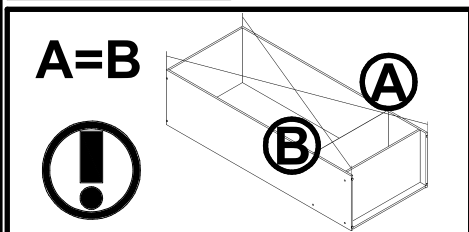
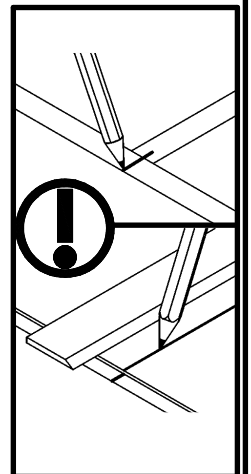
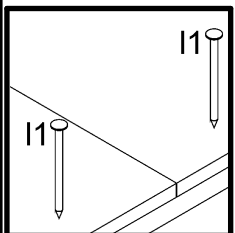
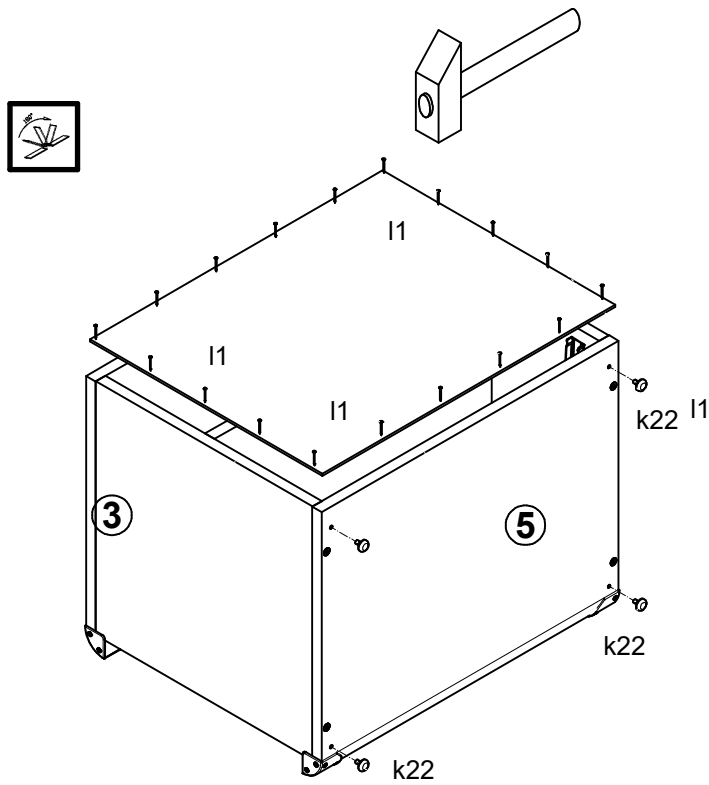
# 2



# 3



# 4



# 5

